

EDJ-D0727

Panel Antenna Technical Sheet



Applications

- 2G/3G/WLAN/LTE
- 698~960/1710~2700MHz band
- TDD / FDD-LTE Outdoor coverage system

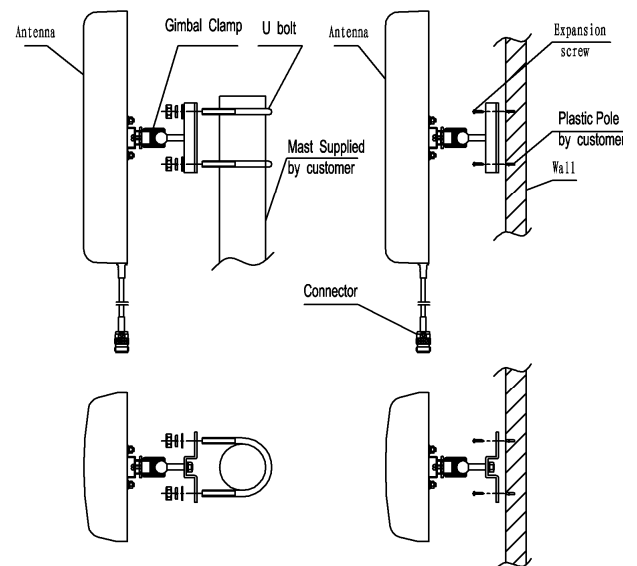
Features

- Broad band, Cover 698~2700MHz common system
- Light weight, Small size
- UV stable ABS radome

Specifications

Model	EDJ-D0727		
Channel	Vertical		Horizontal
Freq.Range-MHz	698-960	1710-2700	1710-2700
Gain-dBi	6	8	8
Beamwidth-°	E:65 H:90	E:60 H:70	E:60 H:70
F/B-dB	8	10	10
VSWR	≤2.0	≤1.5	≤1.5
Isolation -dB	Vertical1710-2700@ Horizontal≥20		
Intermodulation IM3 (2x33dBm carrier)	≤-140dBc		
Impedance-Ω	50		
Polarization	Channel1: Vertical(black cable), Channel2: Horizontal (yellow cable)		
Max.Power-W	50		
Connector	2xN female or customized		
Dimensions-cm	29x17x5		
Weight-Kg	0.8		
Pole Diameter-mm	Φ35 toΦ50		

Installation Sketch



Elcard Wireless Systems Oy

P.O.BOX 120 / Otto Mannisen tie 1-3, 51200 KANGASNIEMI

Tel: +358 424 96661

Email: info@elcard.fi

web: <http://www.elcard.fi>